

B AC Motors

2 Pole Motor 40W(□ 90mm)

40W

2 Pole Motor
40W(□ 90mm)

Motor Specification

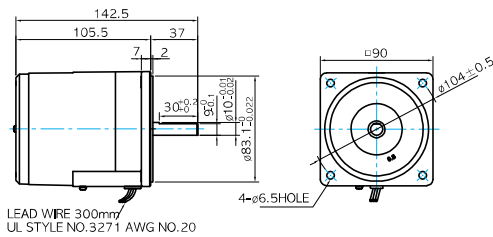
Model		Output	Voltage	Frequency	Poles	Duty	Starting Torque		Rated Load			Capacitor	
Lead Wire Type	Terminal Box Type						kgfcm	N.m	Speed	Current	Torque		
9IDD*-40-A(T): D-Cut Type Shaft 9IDK*-40-A(T): Key Type Shaft		W	V	Hz			r/min	A	kgfcm	N.m	μF / VAC		
9IDD1(A)-40-A	9IDD1(A)-40-AT	40	1 φ 110	60	2	Cont.	1.40	0.140	3200	1.07	1.22	0.122	12.0 / 250
9IDD2(D)-40-A	9IDD2(D)-40-AT	40	1 φ 220	60	2	Cont.	1.82	0.182	3200	0.63	1.22	0.122	4.0 / 450
9IDDE-40-A	9IDDE-40-AT	40	1 φ 220	50	2	Cont.	1.75	0.175	2700	0.49	1.44	0.144	4.0 / 450
							2.05	0.205		0.52	1.44	0.144	
9IDD3(G)-40-A	9IDD3(G)-40-AT	40	3 φ 220	50	2	Cont.	5.16	0.516	2700	0.28	1.44	0.144	-
				60			4.15	0.415	3200	0.28	1.22	0.122	
				50	2	Cont.	5.63	0.563	2700	0.30	1.44	0.144	
				60			4.48	0.448	3200	0.29	1.22	0.122	
9IDD4(K)-40-A	9IDD4(K)-40-AT	40	3 φ 380	50	2	Cont.	6.27	0.627	2700	0.18	1.44	0.144	-
				60			4.96	0.496	3200	0.19	1.22	0.122	
				50	2	Cont.	6.86	0.686	2700	0.20	1.44	0.144	
				60			5.41	0.541	3200	0.20	1.22	0.122	
9IDD5(L)-40-A	9IDD5(L)-40-AT	40	3 φ 415	50	2	Cont.	6.12	0.612	2700	0.17	1.44	0.144	-
				60			4.95	0.495	3200	0.17	1.22	0.122	
				50	2	Cont.	6.80	0.680	2700	0.18	1.44	0.144	
				60			5.48	0.548	3200	0.18	1.22	0.122	

1) Enter the phase & voltage code in the place * within the motor model name. 2) The phase & voltage code A, D, E, G, K, L contain a built-in thermal protector.
 ※ It is not possible to use an inverter for three phase 380~440V motor. When the inverter is used, the insulation of winding coil becomes hot and may cause damage to the motor.

Dimensions

LEAD WIRE TYPE

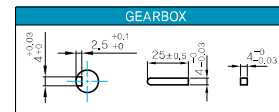
- MOTOR MODEL: 9IDD□-40-A (NO FAN)



MOTOR OUTPUT SHAFT

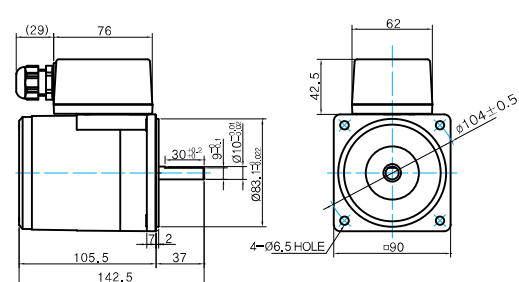
MODEL	SPEC
D-CUT TYPE	
9IDD□-40-A	
KEY TYPE	
9IDK□-40-A	

KEY SPEC



TERMINAL BOX TYPE

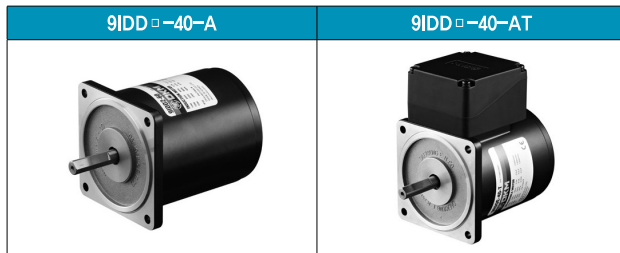
- MOTOR MODEL: 9IDD□-40-AT (NO FAN)



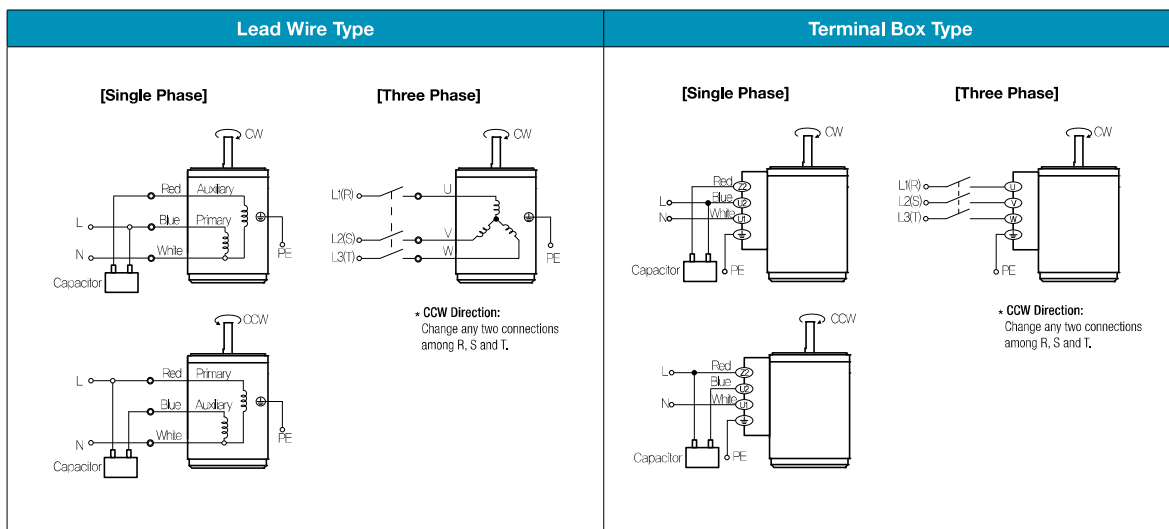
WEIGHT

PART	WEIGHT(Kg)
MOTOR	2.45

Motor Images



Connection Diagrams



1) The direction of motor rotation is as viewed from the shaft end of the motor.

2) CW represents the clockwise direction, while CCW represents the counterclockwise direction.

3) Change the direction of single phase motor rotation only after bringing the motor to a stop. If an attempt is made to change the direction of rotation while the motor is rotating, the motor may ignore the reversing command or change its direction after some delay.